

## APPLICATION

*“bun hygro” is a temperature and relative humidity (RH) recorder-alarm. It is powered by a ultra-long life battery (over 25 years) and connects directly to Wi-Fi. More than an accurate meter and a reliable logger, “bun hygro” is also a cloud-based alarm system. All setting parameters like measurement intervals, upload intervals, minimum and maximum allowed temperature and humidity thresholds can be set through a web-based application ([www.loggermaster.com](http://www.loggermaster.com)) on any platform. It sends out email and text message alarms as soon as any parameter goes wrong. It provides access to the records history, graphs and periodical reports on any platform. Its hardware and software installation is very easy and does not require any special tools or applications.*



Built in sensors		Temperature (°C) - RH (%)
Temperature measurement range (internal sensor model)	°C	-40 to +55
	°F	-40 to +130
Temperature measurement range (External sensor with cable)	°C	-40 to +125
	°F	-40 to +255
Temperature measurement accuracy	°C	± 0.3 (down to ± 0.2 by order)
RH measurement range	%	0 - 99
RH measurement accuracy	%	± 3% (max.) (down to ± 1.8 % by order)
Power supply		Internal Battery
Protection class		IP 54
Compliances		IEEE 802.3, EN 61326-1, EN 61010, FCC, CE, ROHS
Battery life*	Years	Up to 25 years
Upload intervals		Every minute to once a week (or on demand)
Record intervals		1 minute to 120 minutes (down 2 sec. by order)
Interface		Wi-Fi - IEEE 802.3
Max. number of internal records		16,384

\*Battery life is 10-25 years in a standard setup depending on reading and upload intervals and environmental conditions.

## AMBIENT CONDITIONS

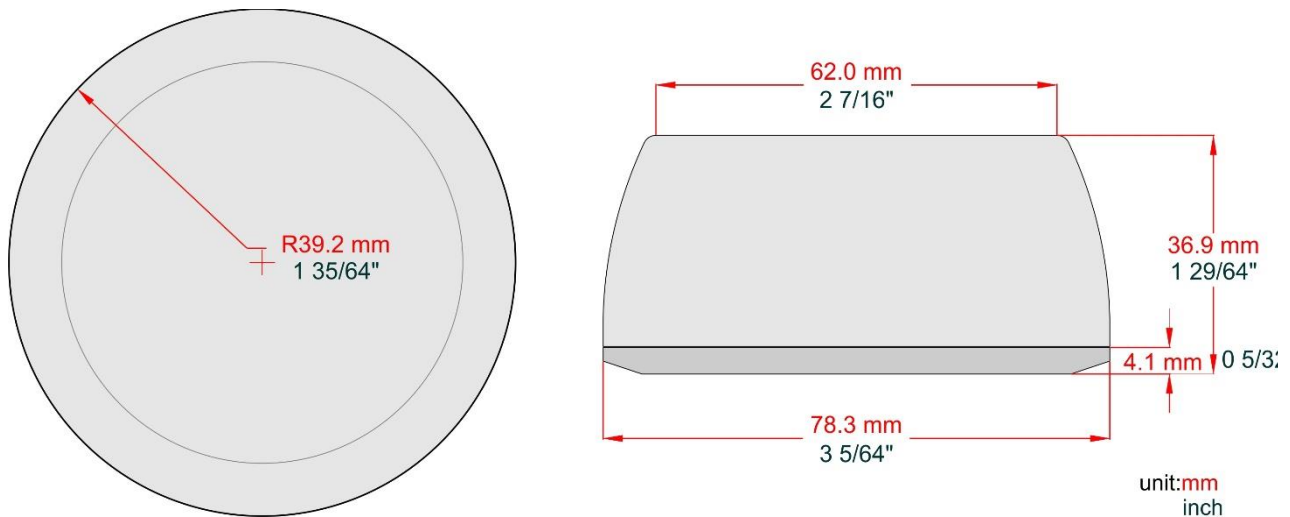
Humidity	%	0 to 95
Operating Temperature	°C	-40 to +70 (device itself – not external sensor)
Storage temperature	°C	-40 to +75

## DIMENSIONS

Diameter (max.)	L	mm	78.3
Height (max.)	H	mm	36.9

## Warranty

All products are under manufacturers warranty for 36 months.



### Maximum and typical inaccuracy

